

STA3A-4121A024SR11 (ORDER NO. 105304)

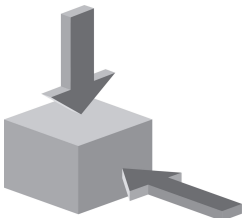
Safety switch STA, plug connector SR11, with door monitoring contact

- ▶ Auxiliary release on the front
- ▶ With door monitoring contact
- ▶ Plug connector SR11



Description

Approach direction



Figure

Horizontal and vertical

Can be adjusted in 90° steps

Solenoid operating voltage

- ▶ AC/DC 24 V +10%, -15%

Guard locking type

STA3 Closed-circuit current principle, guard locking by spring force. Release by applying voltage to the guard locking solenoid.

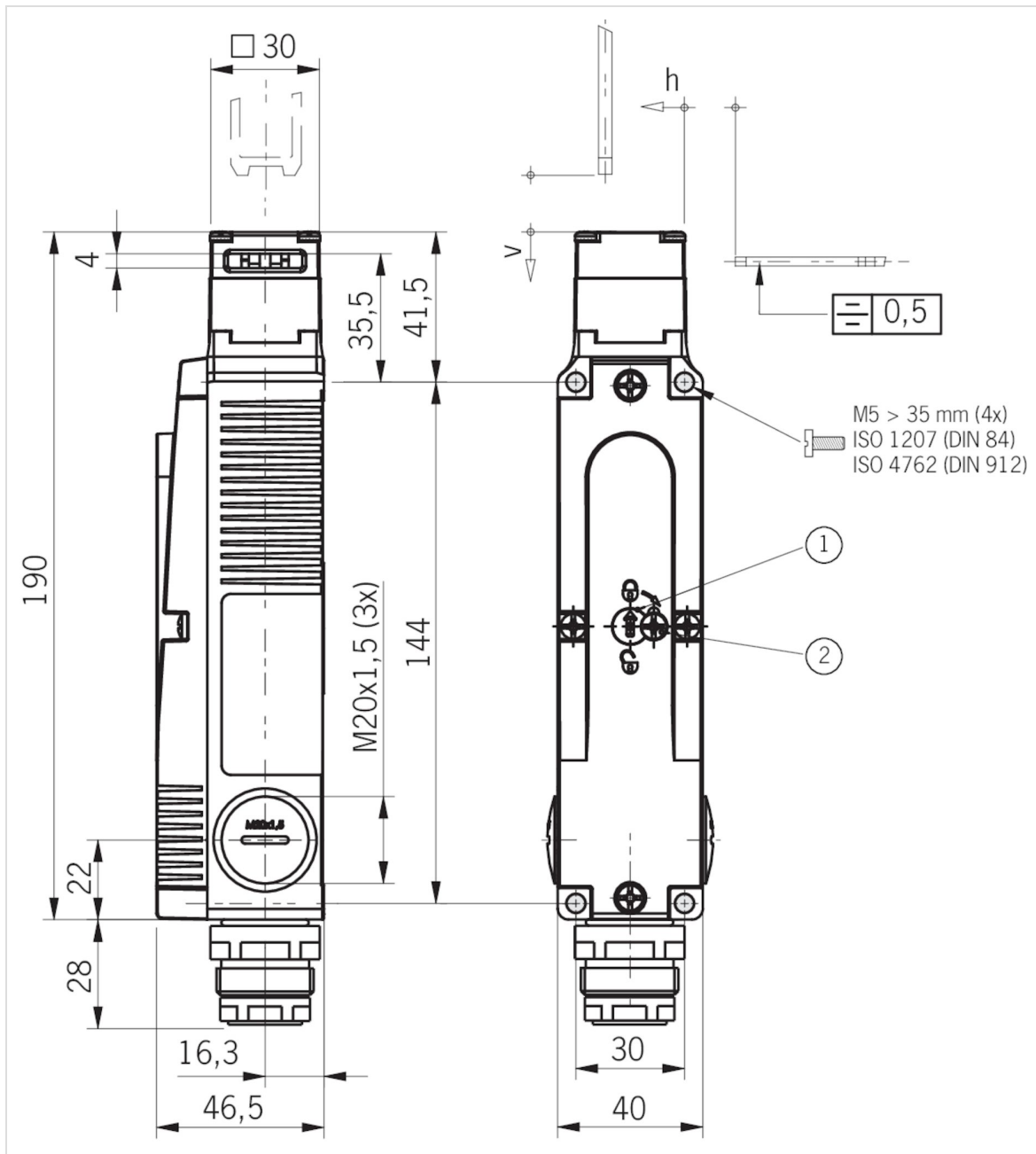
Switching element

4121 Slow-action switching contact 2 NC (→) + 1 NC/ 1 NO (door monitoring contact)

Auxiliary release

Is used for releasing the guard locking with the aid of a tool. To protect against tampering, the auxiliary release is sealed with sealing lacquer.

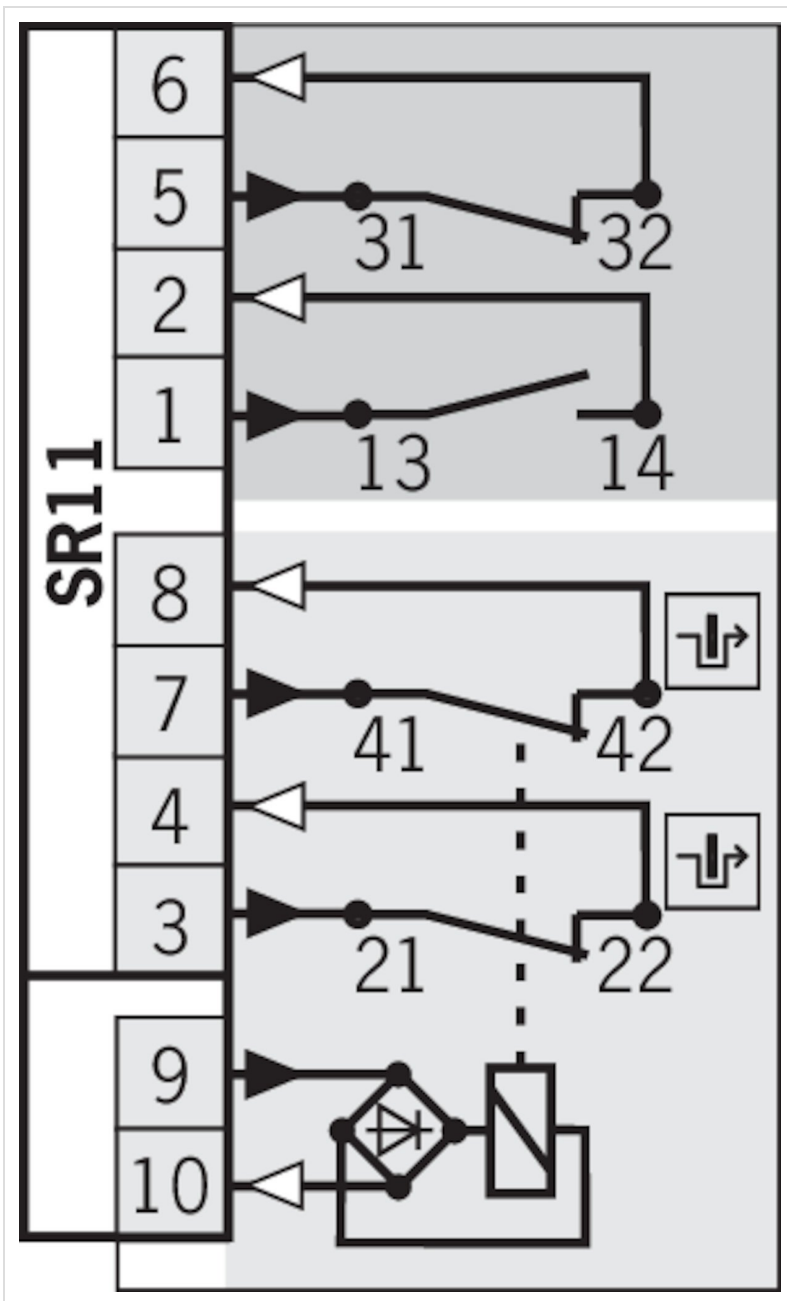
Dimension drawing



1 Auxiliary release

2 Locking screw

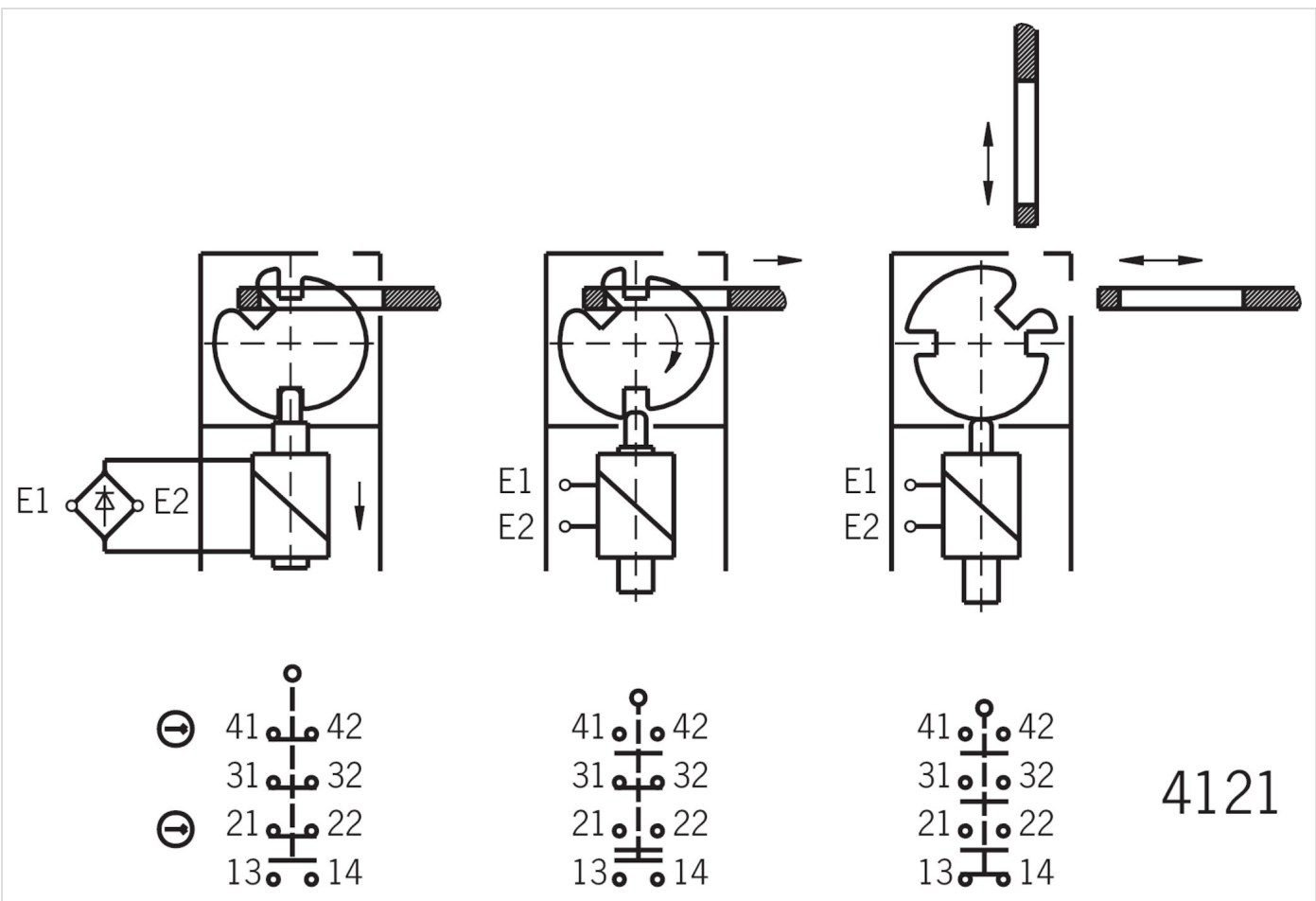
4121



□ Solenoid monitoring

■ Door monitoring

Switching functions



Technical data

Approvals



Mechanical values and environment

Housing material	Housing Alloy - die-cast
Weight	Net 0,6 kg
Ambient temperature	-20 ... 80 °C
Degree of protection	IP65
Mechanical life	1 x 10 ⁶
Contact material	Silver alloy, gold flashed
Switching principle	Slow-action switching contact
Installation orientation	Any
Number of door position NC contacts	1
Number of door position NO contacts	1
Number of guard lock monitoring positively driven contacts	2
Connection	1 x Plug connector SR11 (11-pin + PE)
Approach speed	max.20 m/min
Actuation frequency	max.1200 1/h
Guard locking principle	Closed-circuit current principle
Locking force F _{max}	3000 N
Locking force F _{Zh}	2300 N
Retention force	20 N
Extraction force	30 N
Actuating force	35 N
Insertion depth	24,5 mm

Electrical connection ratings

Thermal rated current I _{th}	4 A
Utilization category acc. to EN 60947-5-1	AC-15 4A 50V DC-13 4A 24V
Solenoid operating voltage	AC/DC 24 V -15% ... +10%
Short circuit protection according to IEC 60269-1	4A gG
Rated insulation voltage U _i	50 V
Rated impulse withstand voltage U _{imp}	1,5 kV
Switching voltage	Min. at 10mA 12 V
Switching current	Min. at 24V 1 mA
Connection rating	8 W
Solenoid duty cycle	100 %

Reliability values according to EN ISO 13849-1

Control of the guard locking

Category	Depending on external control of guard locking
Performance Level	Depending on external control of guard locking
PFH _D	Depending on external control of guard locking
Monitoring of guard locking and the safety guard position	
B10 _D	11,5 x 10 ⁶

In combination with Actuator BETAETIGER-S-GT-SN

Mechanical values and environment

Overtravel	5 mm
------------	------

Accessories

Actuator

Actuator L, bent, for safety switches SGA/SGP/STA/STP/STM for insertion funnel



095741
BETAETIGER-S-WQT-LN

- ▶ Two safety screws included
- ▶ Actuator with rubber bush

Actuator L for safety switches SGA/SGP/STA/STP/STM for insertion funnel



095739
BETAETIGER-S-GT-LN

- ▶ Two safety screws included
- ▶ Actuator with rubber bush

Actuator S, bent, for safety switches SGA/SGP/STA/STP/STM



095740
BETAETIGER-S-WQT-SN

- ▶ Two safety screws included

Actuator S for safety switches SGA/SGP/STA/STP/STM



097861
BETAETIGER-S-G-SN-C2115

- ▶ Two safety screws included
- ▶ Physically compatible with TP actuator P-G



095738
BETAETIGER-S-GT-SN

- ▶ Two safety screws included
- ▶ Actuator with rubber bush

Hinged actuator L left/right, for safety switches SGA/SGP/STA/STP/STM for insertion funnel



096844
RADIUSBETAETIGER-S-LR-LN

- ▶ Actuators made of stainless steel
- ▶ Two stainless safety screws per actuator
- ▶ For doors hinged on the right or left

Hinged actuator L top/bottom, for safety switches SGA/SGP/STA/STP/STM for insertion funnel



096697
RADIUSBETAETIGER-S-OU-LN

- ▶ Actuators made of stainless steel
- ▶ Two stainless safety screws per actuator
- ▶ For doors hinged at top and bottom

Hinged actuator S left/right for safety switches SGA/SGP/STA/STP/STM



096838
RADIUSBETAETIGER-S-LR-SN

- ▶ Actuators made of stainless steel
- ▶ Two safety screws included
- ▶ For doors hinged on the right or left

Hinged actuator S top/bottom for safety switches SGA/SGP/STA/STP/STM



095315
RADIUSBETAETIGER-S-OU-SN

- ▶ Actuators made of stainless steel
- ▶ Two safety screws included
- ▶ For doors hinged at top and bottom

Bolt

Bolt BTC-ST/G... without escape release for safety switches STA, STP, SGP and SGA



106284
BTC-ST/G-S-TH-00-X

- ▶ Aluminum bolt
- ▶ For doors hinged on the left or right
- ▶ Can be locked in open position with padlocks
- ▶ Actuator included

Bolt BTM-UNIP-S... for safety switches TP, STP, STA and CTP



159951
BTM-UNIP-S-TH-00-X-159951

- ▶ Steel bolt
- ▶ For doors hinged on the left or right
- ▶ Can be locked in open position with padlocks
- ▶ Actuator not included

Bolt S... for safety switches STA, STP, SGP and SGA



096384
RIEGEL S-A

- ▶ Steel bolt
- ▶ For doors hinged on the right
- ▶ Can be locked in open position with padlocks
- ▶ Actuator included



096385
RIEGEL S-C

- ▶ Steel bolt
- ▶ For doors hinged on the left
- ▶ Can be locked in open position with padlocks
- ▶ Actuator included

Bolt STP-GFK for safety switches STA, STP, SGP and SGA



098121
RIEGEL STP-GFK

- ▶ Fiber glass reinforced plastic bolt
- ▶ For doors hinged on the left or right
- ▶ Can be locked in open position with padlocks
- ▶ Actuator included

Connection material

Connection cable with plug connector SR11, 5m



077629
C-M26F12-12X1,00PU05,0-MA-
077629

- ▶ Female plug SR11, 11-pin + PE
- ▶ Straight plug connector
- ▶ PUR cable
- ▶ Cable length 5 m
- ▶ With flying lead

Connection cable with plug connector SR11, 10m



077630
C-M26F12-12X1,00PU10,0-MA-
077630

- ▶ Female plug SR11, 11-pin + PE
- ▶ Straight plug connector
- ▶ PUR cable
- ▶ Cable length 10 m
- ▶ With flying lead

Connection cable with plug connector SR11, 15m



077631
C-M26F12-12X1,00PU15,0-MA-
077631

- ▶ Female plug SR11, 11-pin + PE
- ▶ Straight plug connector
- ▶ PUR cable
- ▶ Cable length 15 m
- ▶ With flying lead

Connection cable with plug connector SR11, 25m



094749
C-M26F12-12X1,0PU25,0-MA-094749

- ▶ Female plug SR11, 11-pin + PE
- ▶ Straight plug connector
- ▶ PUR cable
- ▶ Cable length 25 m
- ▶ With flying lead

Plug connector SR11 for safety switches NZ and TZ

070859
SR11EF

- ▶ Crimp contacts
- ▶ Cable optional
- ▶ Coding shells

054773
SR11WF

- ▶ Crimp contacts
- ▶ 90° angled optional
- ▶ Cable optional
- ▶ Coding shells

091296
SR11AM2-M20

- ▶ Crimp contacts
- ▶ Cable optional
- ▶ Coding shells

Function expansion

Built-in LED, light shines to front



095510
EINBAULEUCHTE LED-F M20X1,5

Built-in LED, light shines to side



087423
EINBAULEUCHTE LED M20X1,5

Emergency unlocking for safety switches CTP/TP/STP



099877
NOTENTSPERRUNG TP/STP

Handle for escape release for safety switches TP/STP/STA



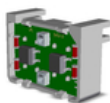
105329
FE-GRIFF

Insertion funnel for safety switches SGP/STA/STP/STM/SGA



093157
EINFUEHRTRICHTER-S

LED set



098035
STP LED SET

Lock for auxiliary release for safety switches CTP/TP/STP



084177
SCHLOSS TP
VERSCHIEDENSCHLIESSEND

- ▶ Lock unique locking
- ▶ Key removable in "unlocked" and "locked" positions



086236
SCHLOSS TP GLEICHSCHLIESSEND

- ▶ Identical locking
- ▶ Key removable in "unlocked" and "locked" positions



109212

- ▶ Identical locking



SCHLOSS TP GLEICHSCHLIESSEND
C2293

- ▶ Key can be removed only in "unlocked" position

Lockout bar STA/STP/SGA/SGP/STM



105701
SPERREINSATZ STP/STA

- ▶ Prevents unintentional closing of the door
- ▶ Can be secured with padlocks

Release with automatic reset for safety switches CTP/TP/STP



103110
ENTRIEGELUNG RUECKSTELLEND
TP/STP

Wire front release



096230
AE-B-A1-02,0-096230

- ▶ Can be used as escape release or emergency release
- ▶ No automatic return
- ▶ Sheath length 2 m (rope length 6 m)



097747
AE-B-A1-02,0-F-097747

- ▶ Can be used as escape release or emergency release
- ▶ Automatic return
- ▶ Sheath length 2 m (rope length 6 m)



098313
AE-B-A1-03,0-098313

- ▶ Can be used as escape release or emergency release
- ▶ No automatic return
- ▶ Sheath length 3 m (rope length 6 m)



111233
AE-B-A1-03,0-F-111233

- ▶ Can be used as escape release or emergency release
- ▶ Automatic return
- ▶ Sheath length 3 m (rope length 6 m)



098314
AE-B-A1-04,0-098314

- ▶ Can be used as escape release or emergency release
- ▶ No automatic return
- ▶ Sheath length 4 m (rope length 6 m)



125582
AE-B-A1-06,0-125582

- ▶ Can be used as escape release or emergency release
- ▶ No automatic return
- ▶ Rope length 6 m (without sheath)



124770
AE-B-A1-06,0-F-124770

- ▶ Can be used as escape release or emergency release
- ▶ Automatic return
- ▶ Rope length 6 m (without sheath)

Mounting accessories

Mounting plates EMP-B1 for actuators for safety switches CTP, TP...A, STA, STP, TX and TZ



093457
EMP-B1

Mounting plates EMP-B2 for actuators for safety switches CTP, TP...A, STA, STP, TX and TZ



093458
EMP-B2

Mounting plates EMP-SB for safety switches CTP, TP...A, STA, STP and TX



093456
EMP-SB

- ▶ For vertical and horizontal mounting of safety switches TP...A, STA, STP and TX

Switch bracket CTP/TP/STP GFK



096613
SCHALTERAUFNAHME TP/STP GFK

- ▶ Switch bracket made of fiber glass reinforced plastic
- ▶ For doors hinged on the left or right

Spare parts

Replacement key for mechanical key release



099434
ERSATZSCHLUESSEL
GLEICHSCHL0354

Contacts

🏠 EUCHNER GmbH + Co. KG
Kohlhammerstraße 16
70771 Leinfelden-Echterdingen

☎ +49 711 7597-0

📠 +49 711 753316

✉ [info\(at\)euchner.de](mailto:info(at)euchner.de)